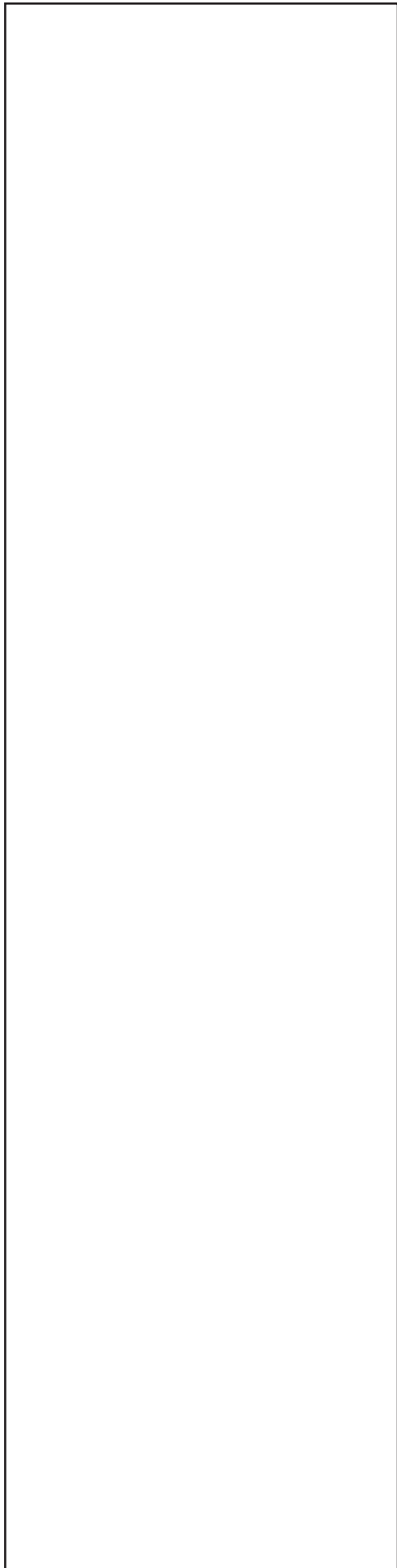


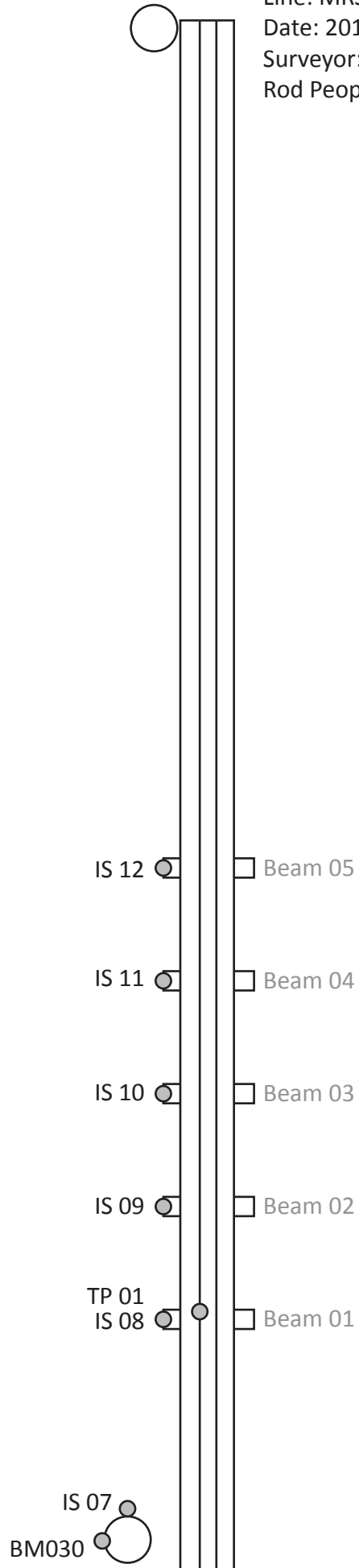
255 To Eureka

Survey: MRS0801  
Line: MRS05  
Date: 2016/08/01  
Surveyor: Jason R. Patton  
Rod People: Brian Draeger, Tom Leroy



255 To Arcata

STN01 ▼  
STN02



Not To Scale